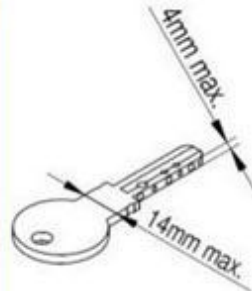
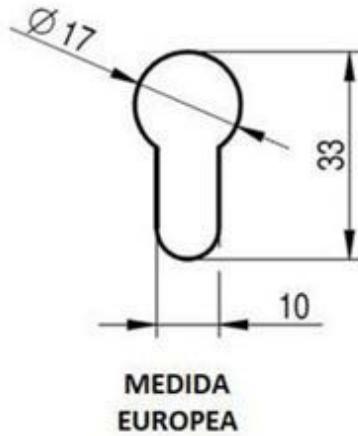
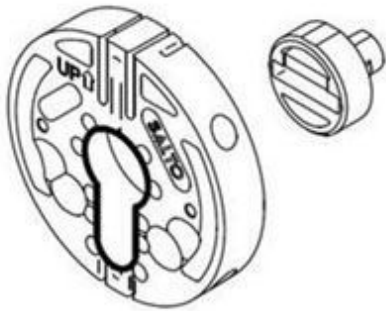


INTRODUCTION

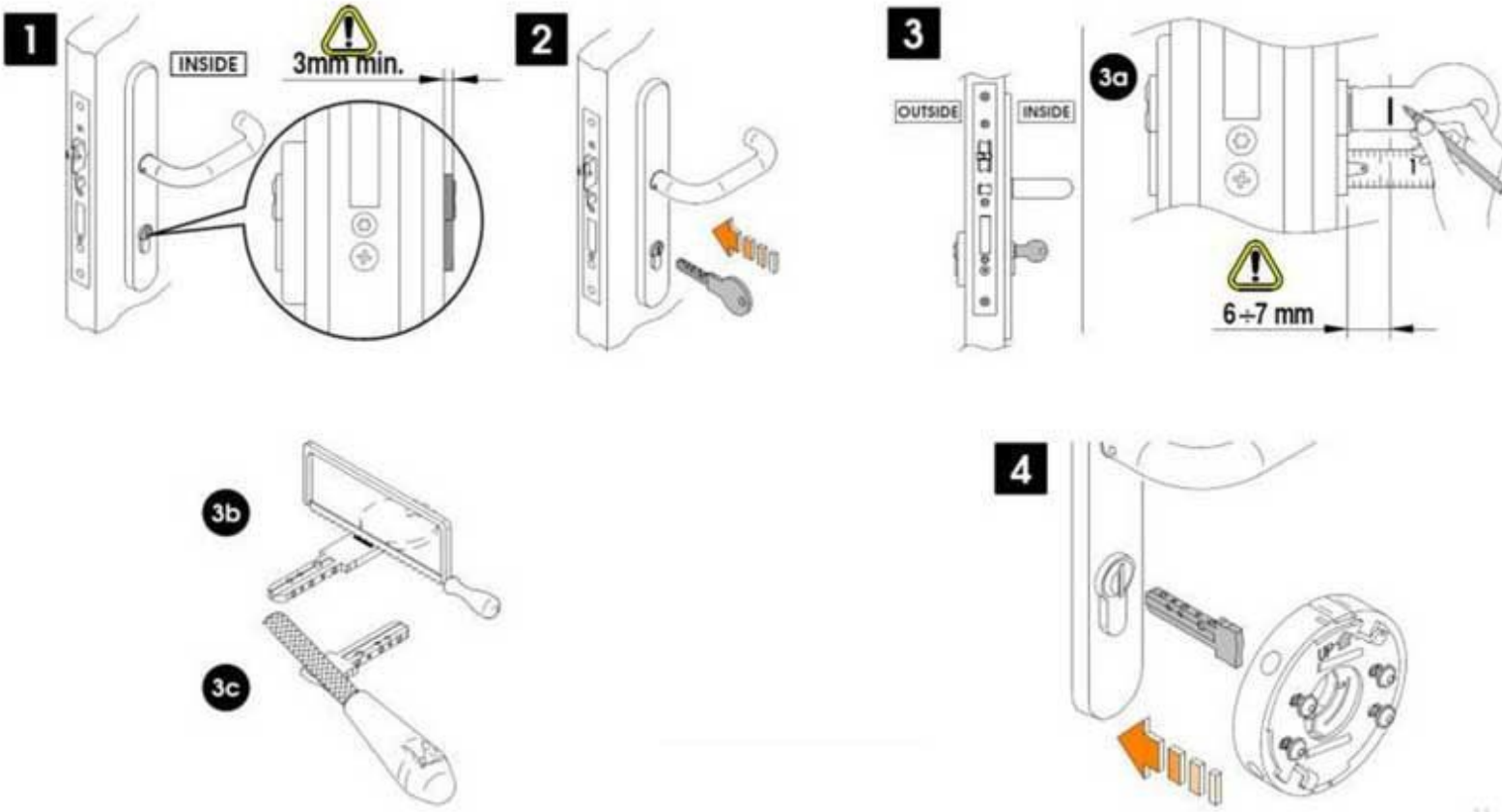
Key Turner Installation

Solución to use a third party cylinder

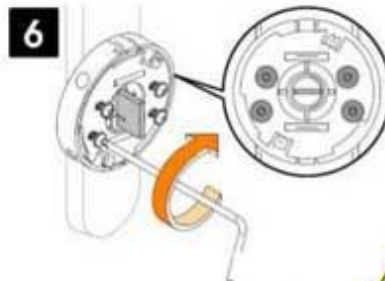
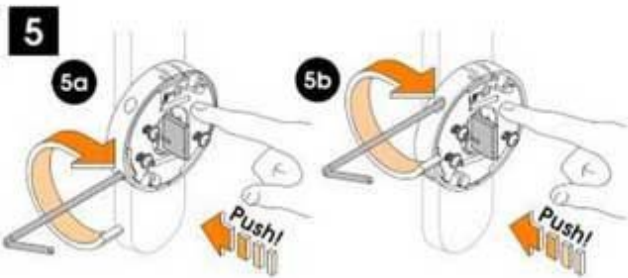


INTRODUCTION

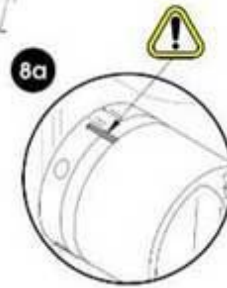
Key Turner Installation



Key Turner Installation



5 and 6 fixing Torx 10 screws from key Turner over the cylinder



Push button and turn to remove DANALOCK from key Turner.